

XLERATOR RECESS KIT INSTALLATION

STOCK # 40502

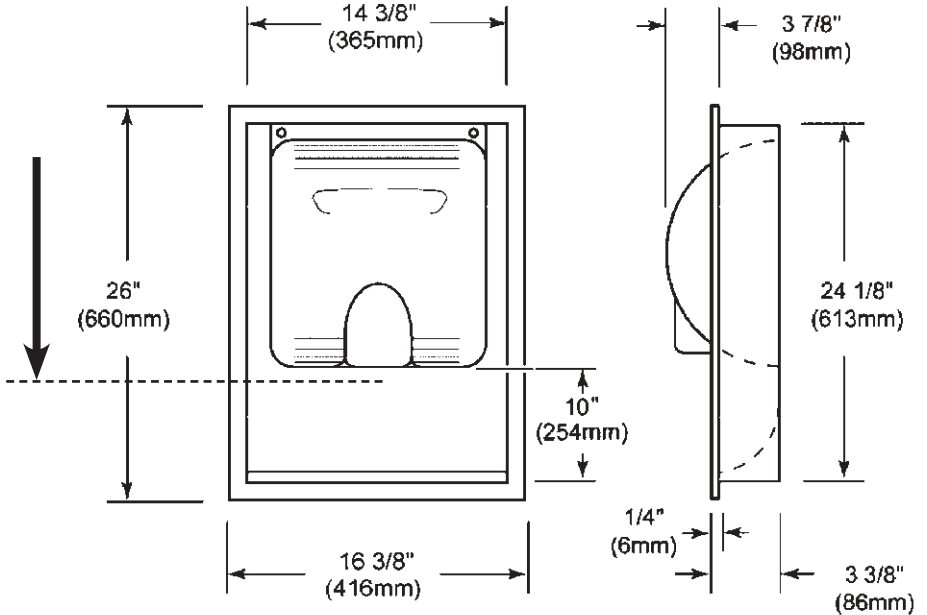
INCLUDES:
 #630 TP Wrench
 (6) Mounting Nuts
 (4) SS Screws



FOR PROPER ELECTRICAL CONNECTIONS, CHECK YOUR LOCAL BUILDING CODES. YOUR UNIT WIRING MUST BE INSTALLED BY A QUALIFIED, LICENSED ELECTRICIAN. SEE DRYER INSTALLATION INSTRUCTIONS FOR WIRING INFORMATION.

INSTALLATION NOTE: After unpacking, remove and save the bolts holding the dryer mounting plate to the wall box.

SUGGESTED DRYER MOUNTING HEIGHTS FROM FLOOR TO BOTTOM OF DRYER	
Men's	45" (114 cm)
Women's	43" (109 cm)
Teenager's	41" (104 cm)
Small Children	35" (89 cm)
Accessible	37" (94 cm)



CONSTRUCTION

Wall box is fabricated of 22 GA 18-8 type 304 stainless steel with #4 satin finish. Dryer mounting plate is fabricated of 16 GA 18-8 type 304 stainless steel. All welded construction.

OVERALL DIMENSIONS

16 3/8" wide x 26" high x 3 3/8" deep
 (416 mm wide x 660 mm high x 86 mm deep)

ROUGH WALL OPENING

14 1/2" wide x 24 3/8" high x 4" deep
 (368 mm wide x 619 mm high x 102 mm deep)

Note: Not recommended for existing single block wall.

INSTALLATION GUIDE (CONSULT LOCAL ADA CODES)

When installed, bottom of hand dryer will be 10" (254 mm) above bottom of rough wall opening. Therefore, bottom of rough wall opening should be 10" (254 mm) below suggested mounting height for hand dryer. (See suggested dryer mounting heights above).



4



Re-fasten dryer mounting plate to Wall Box using the 2 button head tamper proof bolts previously removed.

5



Knock out the appropriate electrical inlet on dryer wall plate and install dryer inside onto dryer mounting plate using all 6 mounting nuts supplied.

6



Connect electrical service to Terminal Block of hand dryer. Properly ground the dryer via the supplied ground screw.

7



Remove 2 button head bolts holding dryer mounting plate to Wall Box and tilt downwards, being careful that safety chain is connected.

8



Install dryer cover with 2 flat head tamper proof bolts using special wrench provided.

9



Return dryer to upright position and refasten to Wall Box using the 2 button head tamper proof bolts. Remove protective film from Wall Box. Turn on power and test for proper operation.



TIME TO THROW IN THE TOWEL®

EXCEL DRYER INC • 1.800.255.9235 • EXCELDRYER.COM

DEC 2021

19EDM0523